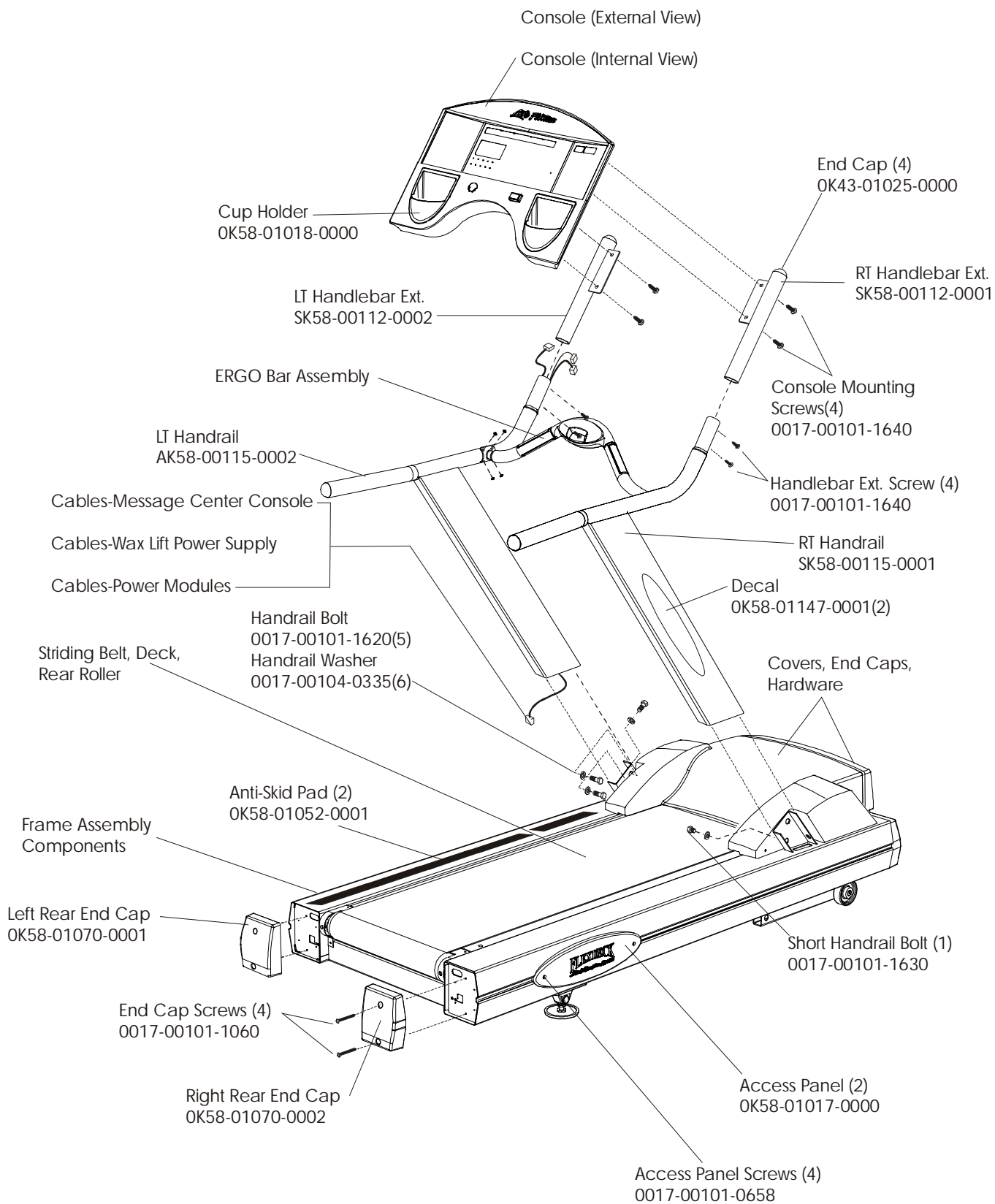


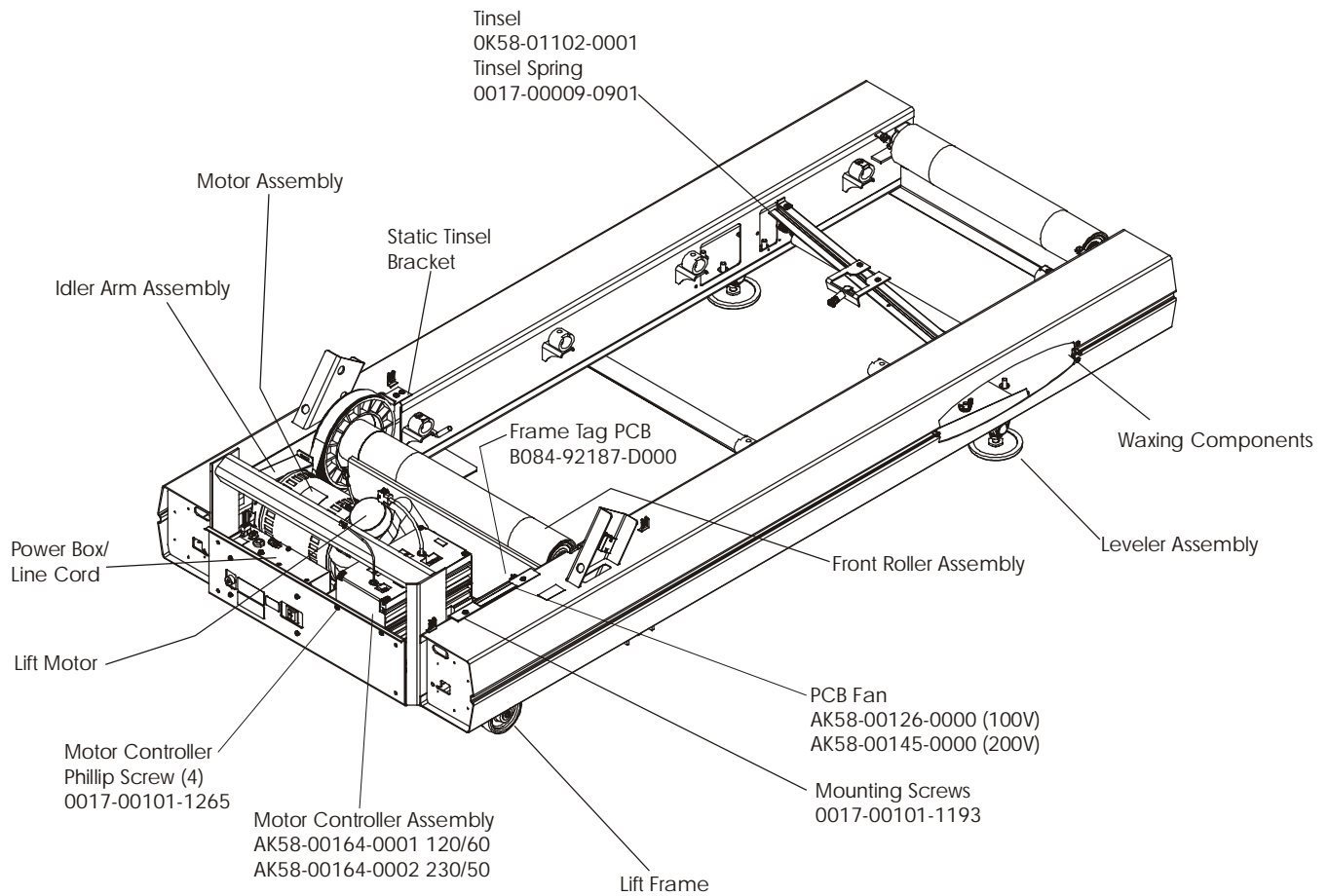
**TR97 Treadmill**  
**General Assembly**

**TR97-0100-03**  
**S/N HTP100000**



# TR97 Treadmill Frame Assembly Components

TR97-0100-03  
S/N HTP100000



**TR97 Treadmill  
Console (External View)**

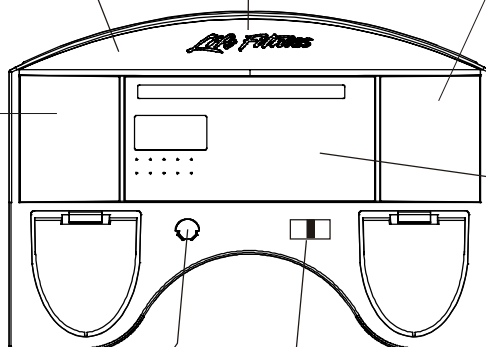
**TR97-0100-03  
S/N HTP100000**

- Console Assembly
- AK58-00055-0001 Eng/Met
- AK58-00055-0003 Ger/Met
- AK58-00055-0004 Spn/Met/Eur (120v/60Hz)
- AK58-00055-0005 Spn/Met (230v/50Hz)
- AK58-00055-0006 Jap/Met
- AK58-00055-0007 Frn/Met/Eur (120v/60Hz)
- AK58-00055-0008 Itl/Met
- AK58-00055-0009 Dut/Met
- AK58-00055-0010 Por/Met
- AK58-00055-0011 Frn/Met (230v/50Hz)

Front Console Shell Only  
OK58-01008-0001

- Zone Training Overlay
- OK58-01215-0001 Eng/Met
- OK58-01215-0003 Ger/Met
- OK58-01215-0004 Spn/Met/Eur
- OK58-01215-0006 Jap/Met
- OK58-01215-0007 Frn/Met/Eur
- OK58-01215-0008 Itl/Met
- OK58-01215-0009 Dut/Met
- OK58-01215-0010 Por/Met

- Workout Profiles
- OK58-01216-0001 Eng/Met
- OK58-01216-0003 Ger/Met
- OK58-01216-0004 Spn/Met/Eur
- OK58-01216-0006 Jap/Met
- OK58-01216-0007 Frn/Met/Eur
- OK58-01216-0008 Itl/Met
- OK58-01216-0009 Dut/Met
- OK58-01216-0010 Por/Met

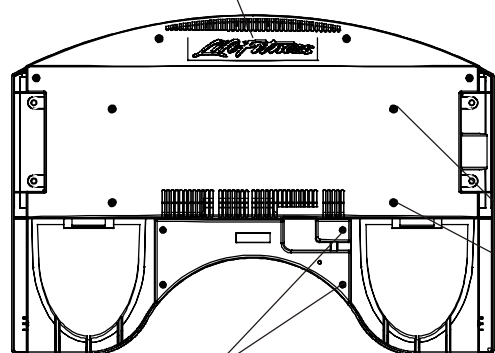


- Tray/Switch w/Overlay Assy
- AK58-00061-0001 Eng/Met
- AK58-00061-0003 Ger/Met
- AK58-00061-0004 Spn/Met/Eur
- AK58-00061-0006 Jap/Met
- AK58-00061-0007 Frn/Met/Eur
- AK58-00061-0008 Itl/Met
- AK58-00061-0009 Dut/Met
- AK58-00061-0010 Por/Met

Stop Key w/Tether  
AK58-00091-0000

Stop Switch Assembly  
Gk58-00002-0007

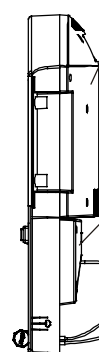
Rear Console Decal  
OK58-01129-0000



Phillips Screw-4  
(8-32x6)  
0017-00101-0776

Phillips Screw-8  
(10-32x8)  
0017-00101-1288

Rear Console  
OK58-01009-0000

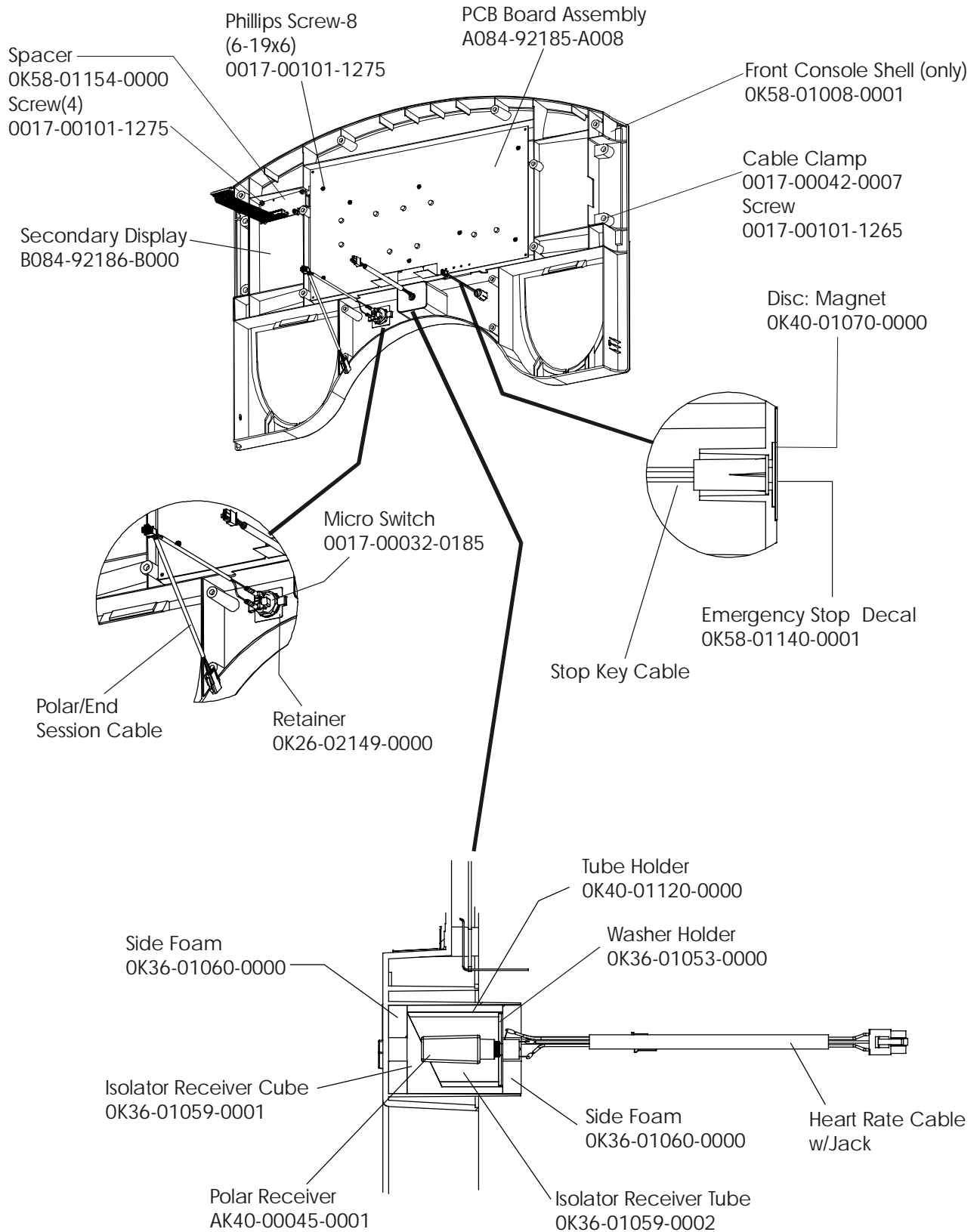


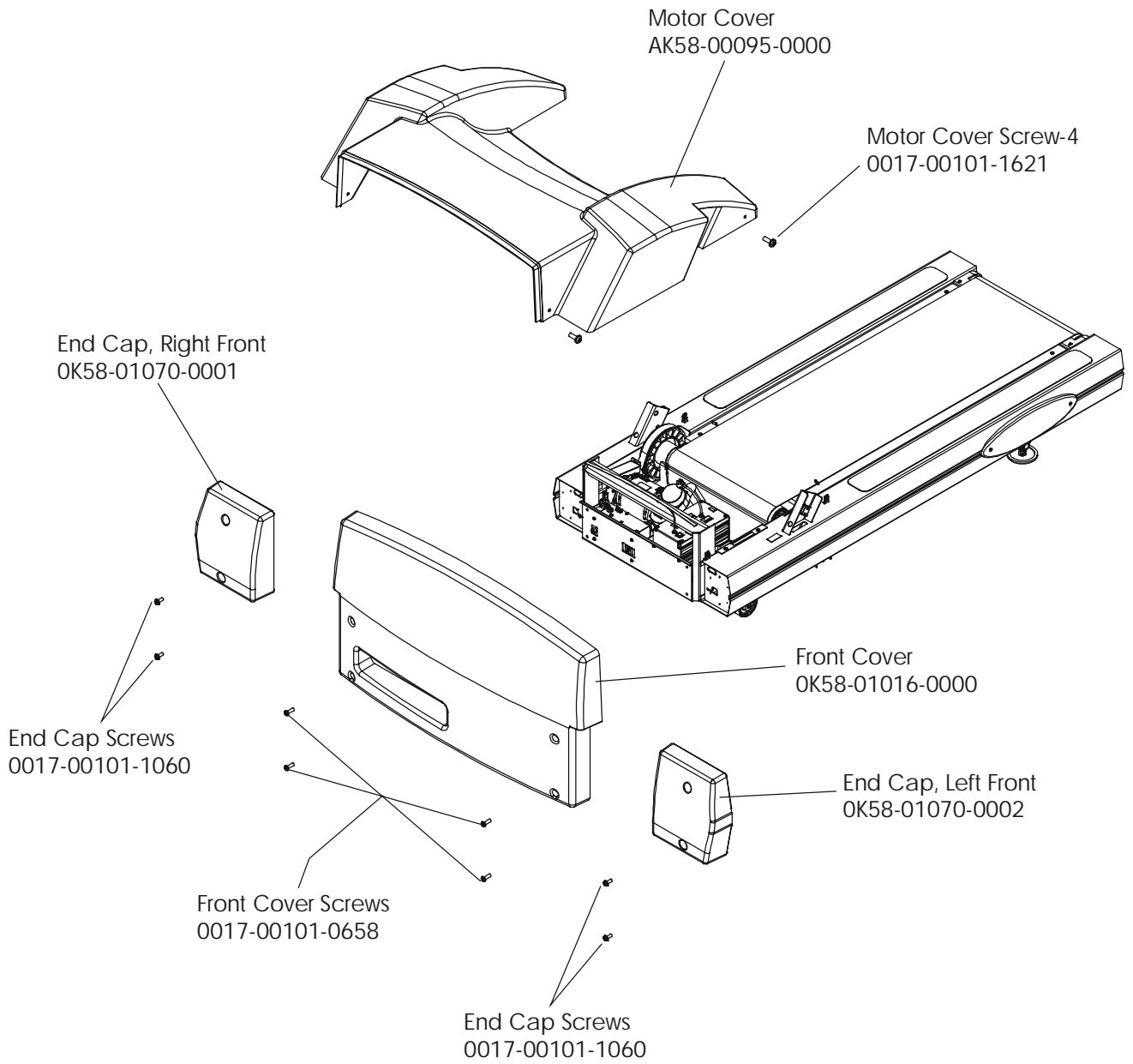
- Switch Cover  
w/Tether
- AK58-00096-0000
- Cover Only
- OK58-01087-0000
- Anchor Washer
- OK58-01158-0000

Stop Key w/Tether  
AK58-00091-0000

**TR97 Treadmill  
Console (Internal View)**

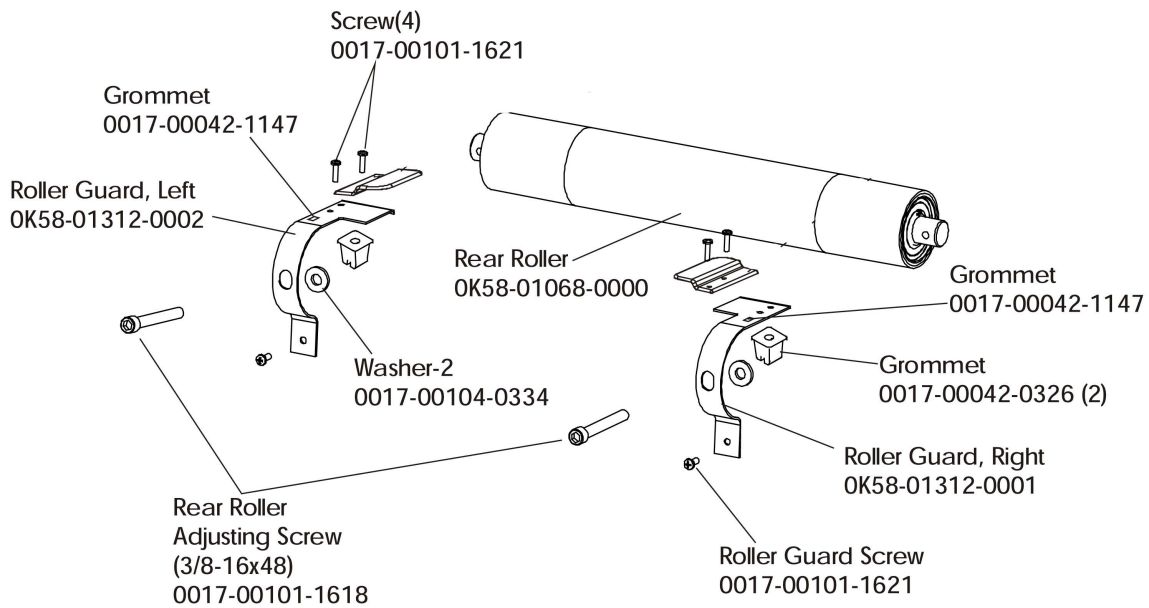
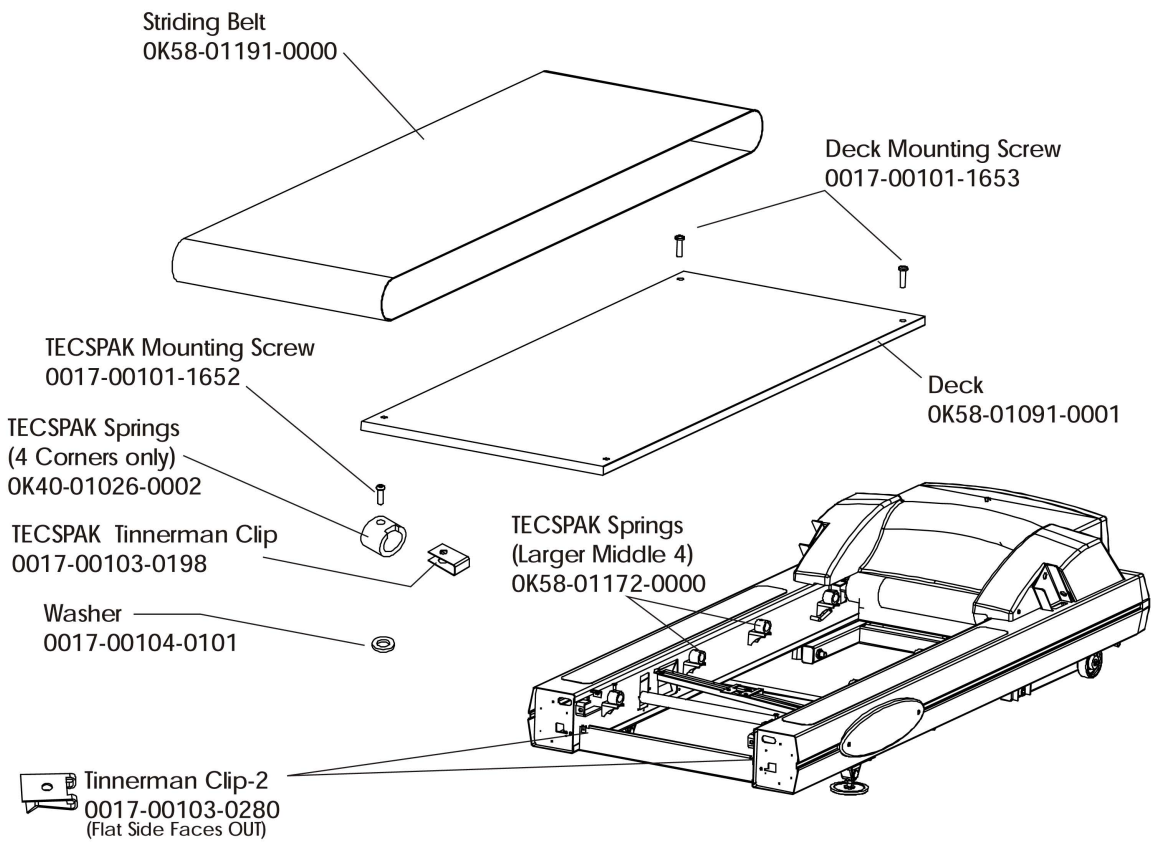
**TR97-0100-03  
S/N HTP100000**





**TR97 Treadmill**  
**Belt, Deck, Rear Roller**

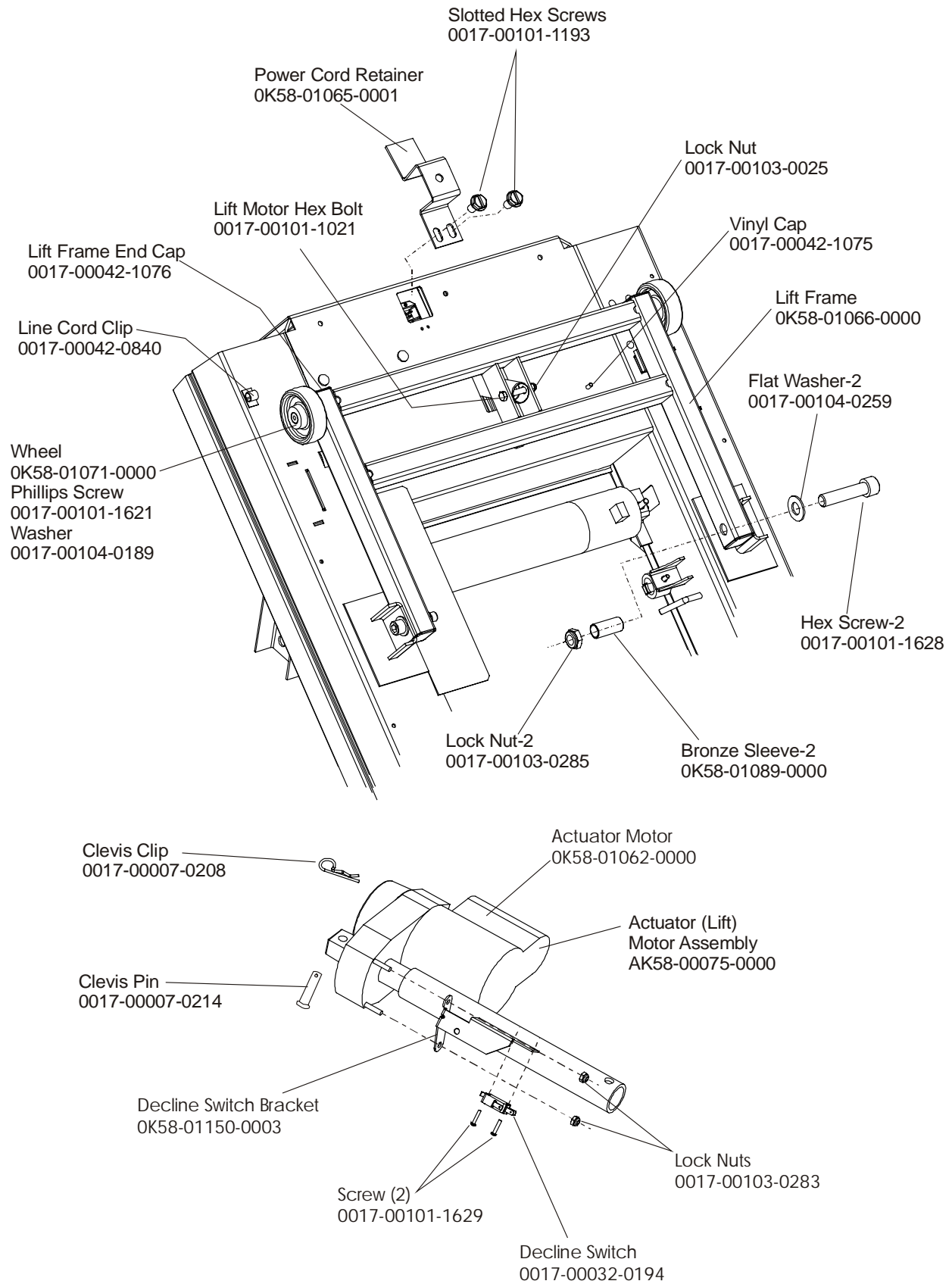
**TR97-0100-03**  
**S/N HTP100000**



**IMPORTANT:** Components can be ordered separately with Serial Numbers above:  
 TR9100 HTN102105-Above, TR9500 HTM105585-Above, and TR9700 HTP100531-Above.  
 Use the appropriate Roller Guard Kit: GK58-00002-0056 for TR91/95, and GK58-00002-0057 for Tr97 with  
 Serial Numbers: TR9100 HTN102105-Below, TR9500 HTM105585-Below, and TR9700 HTP100531-Below.

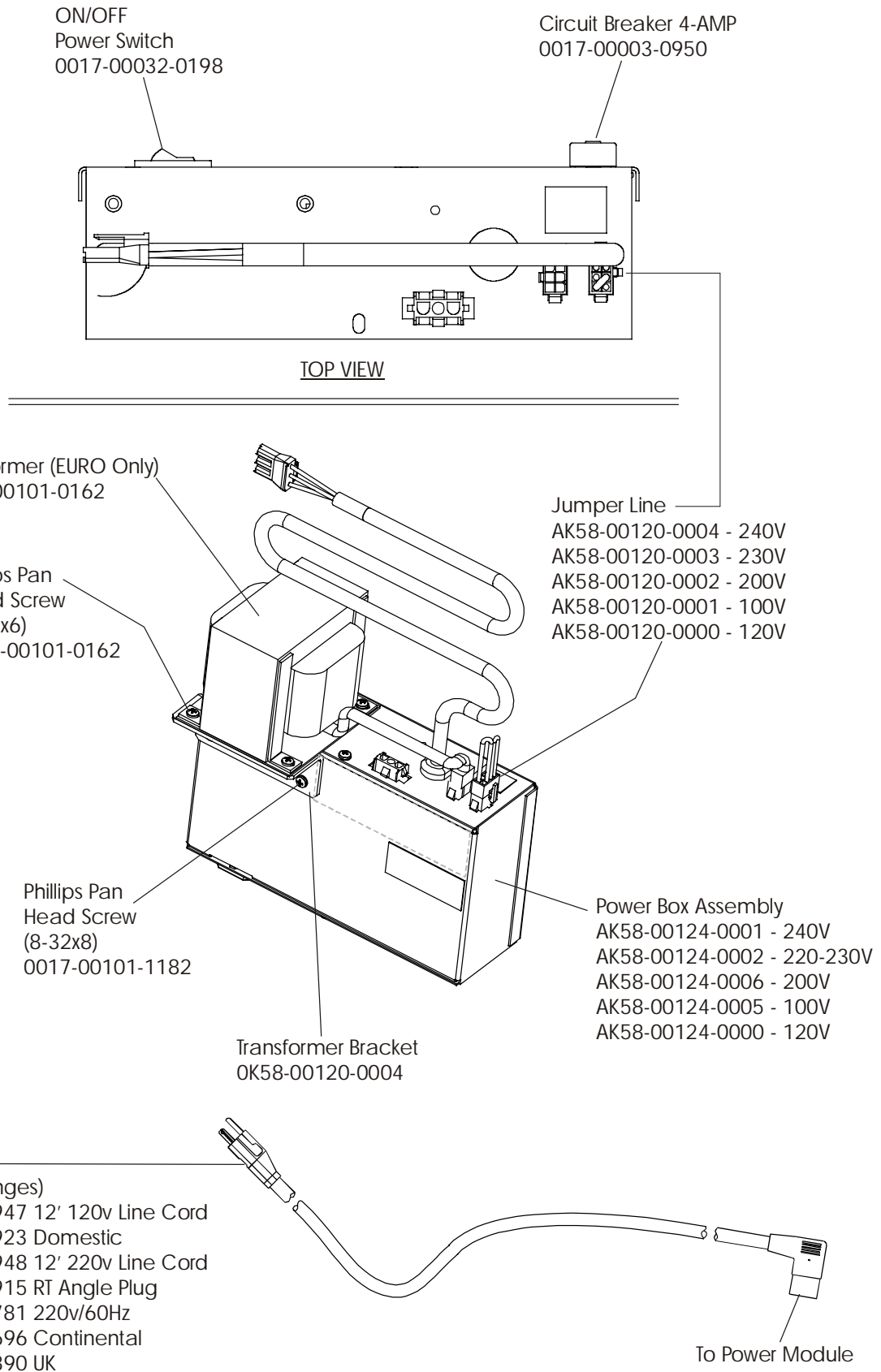
**TR97 Treadmill**  
**Lift Motor and Lift Frame**

**TR97-0100-03**  
**S/N HTP100000**

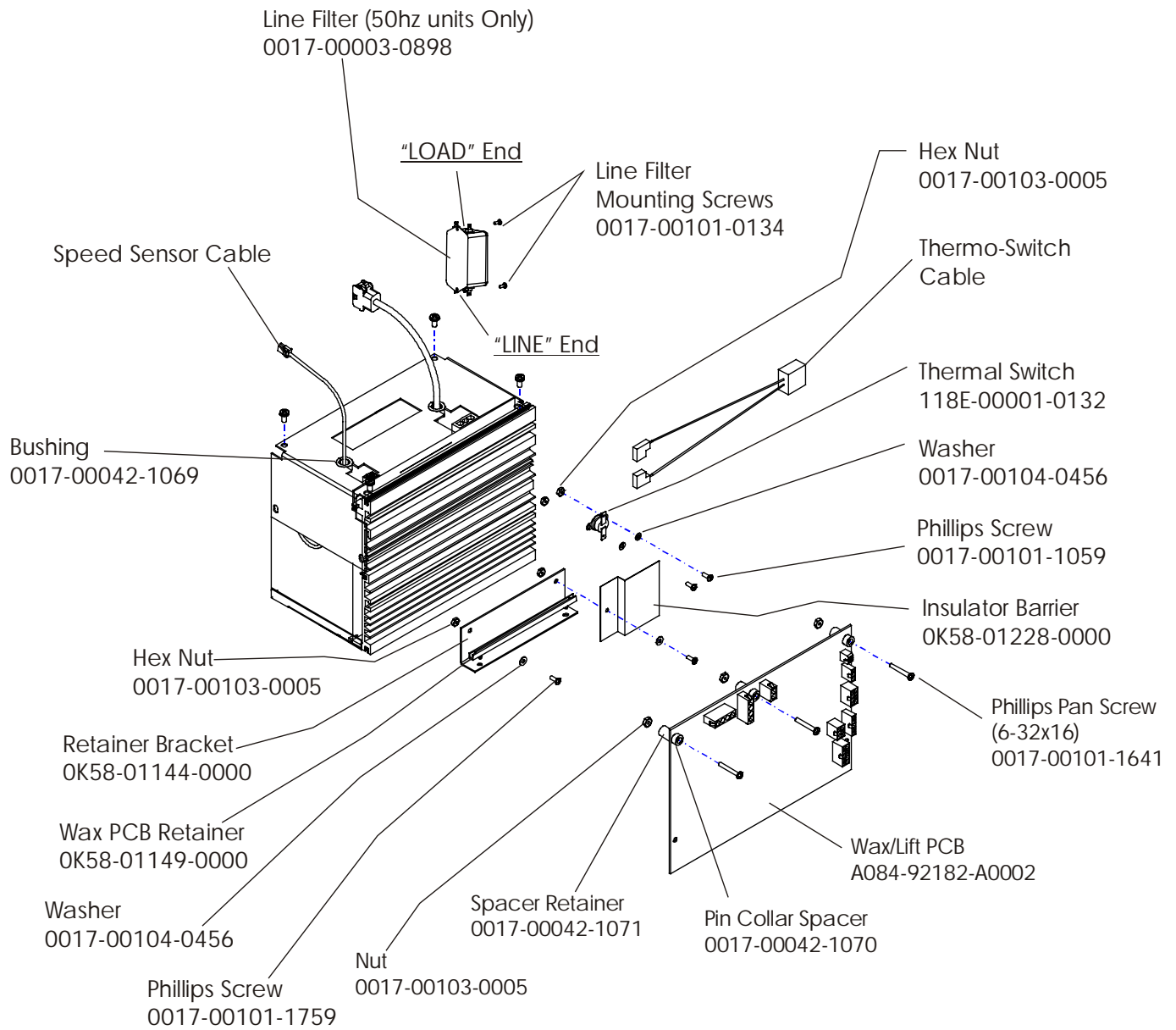


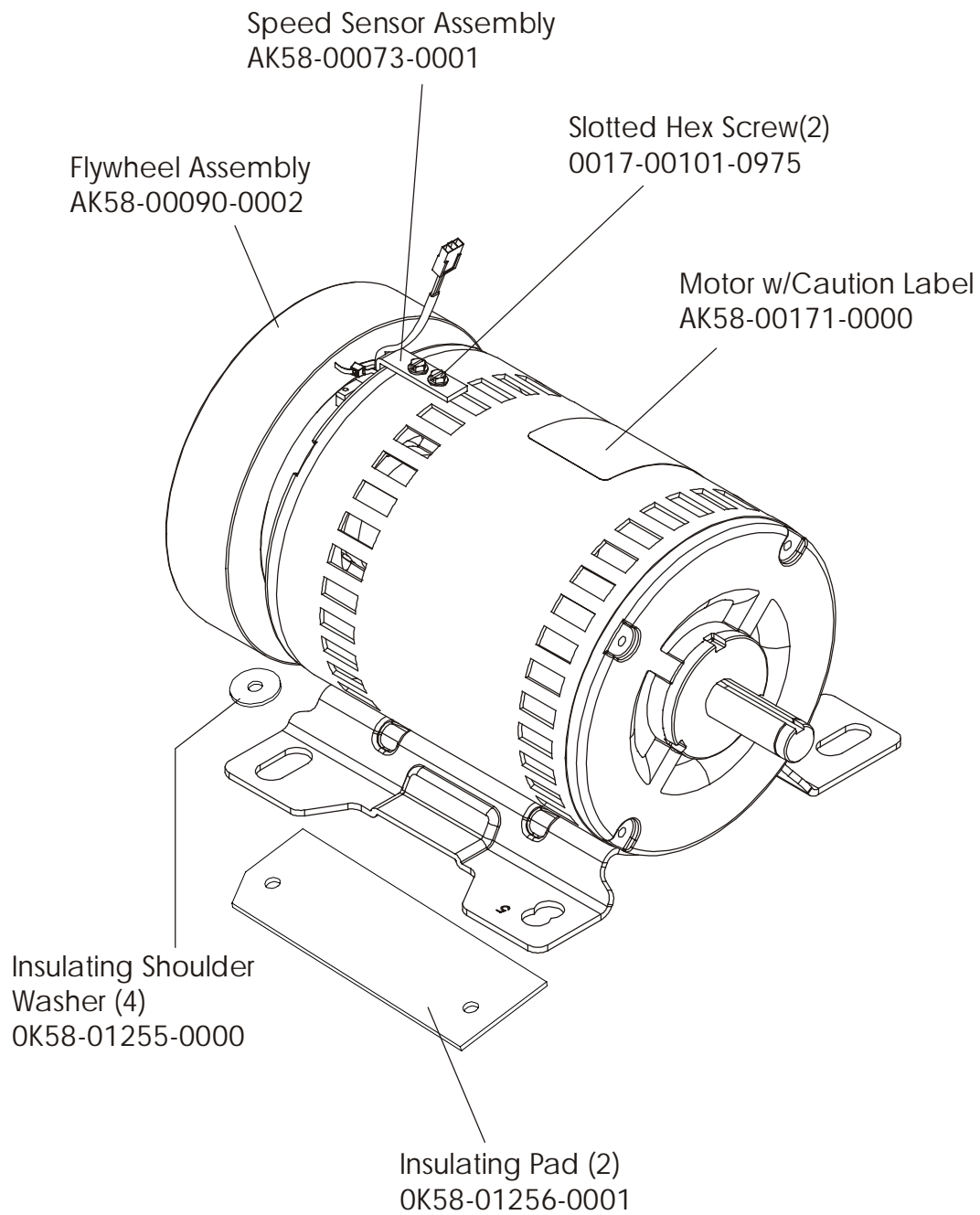
**TR97 Treadmill  
Power Box Assembly**

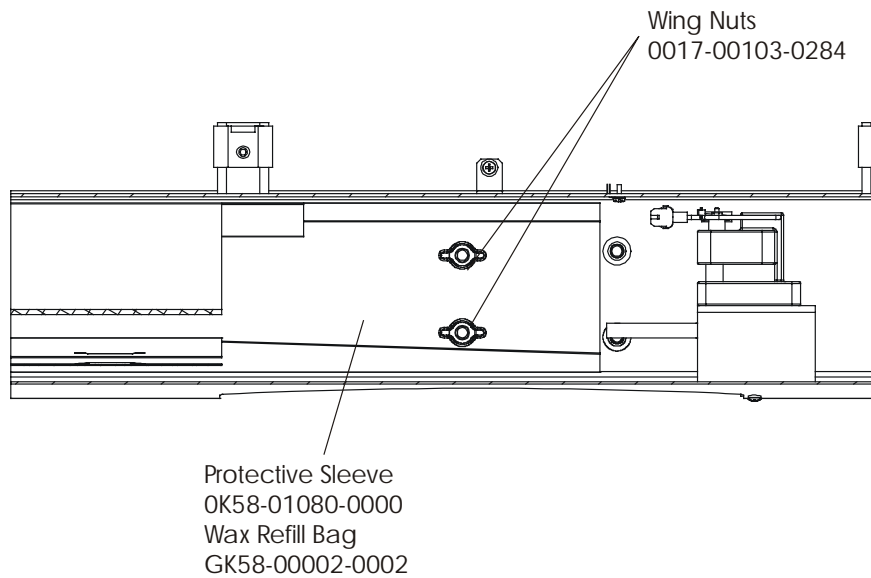
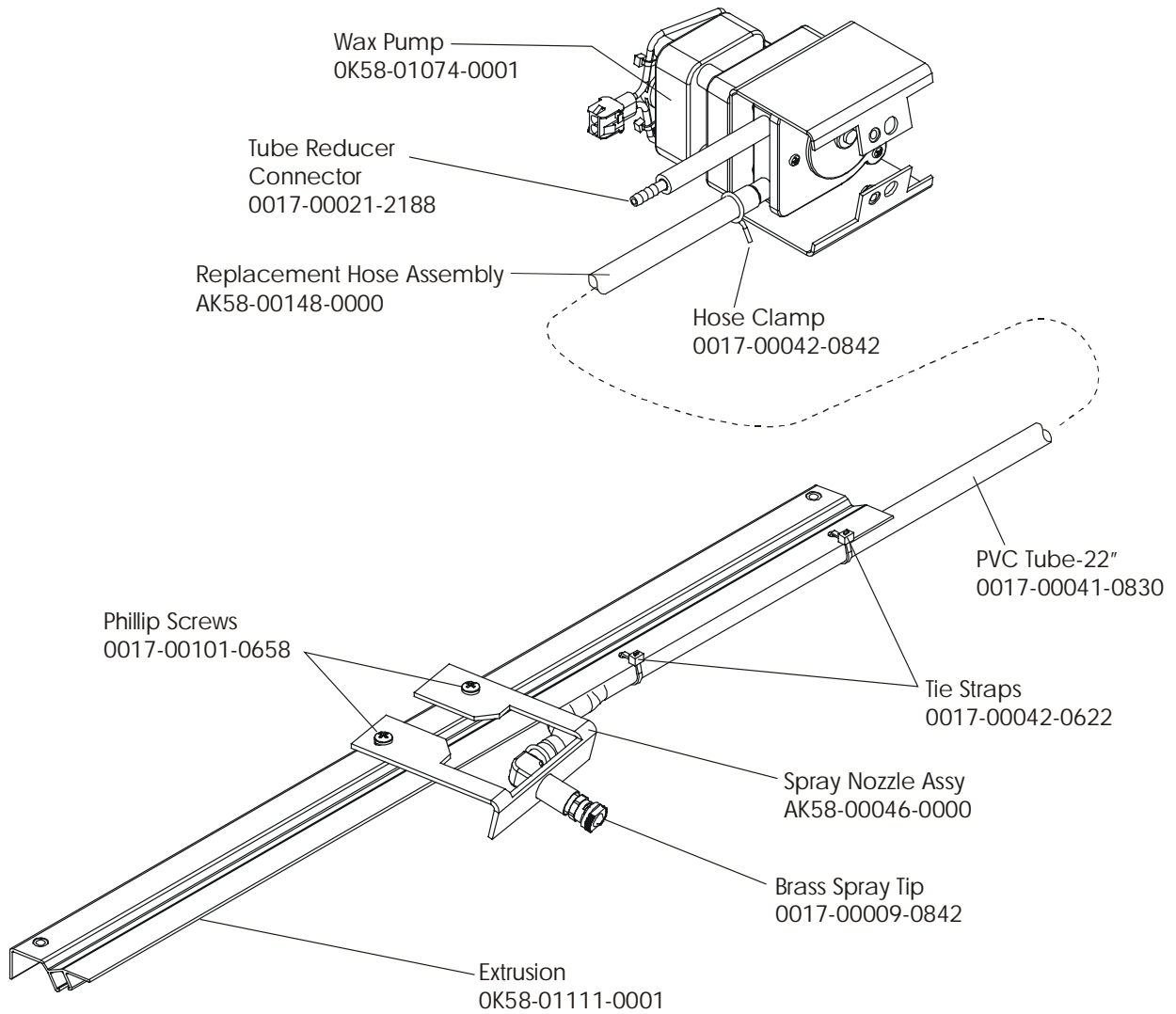
**TR97-0100-03  
S/N HTP100000**





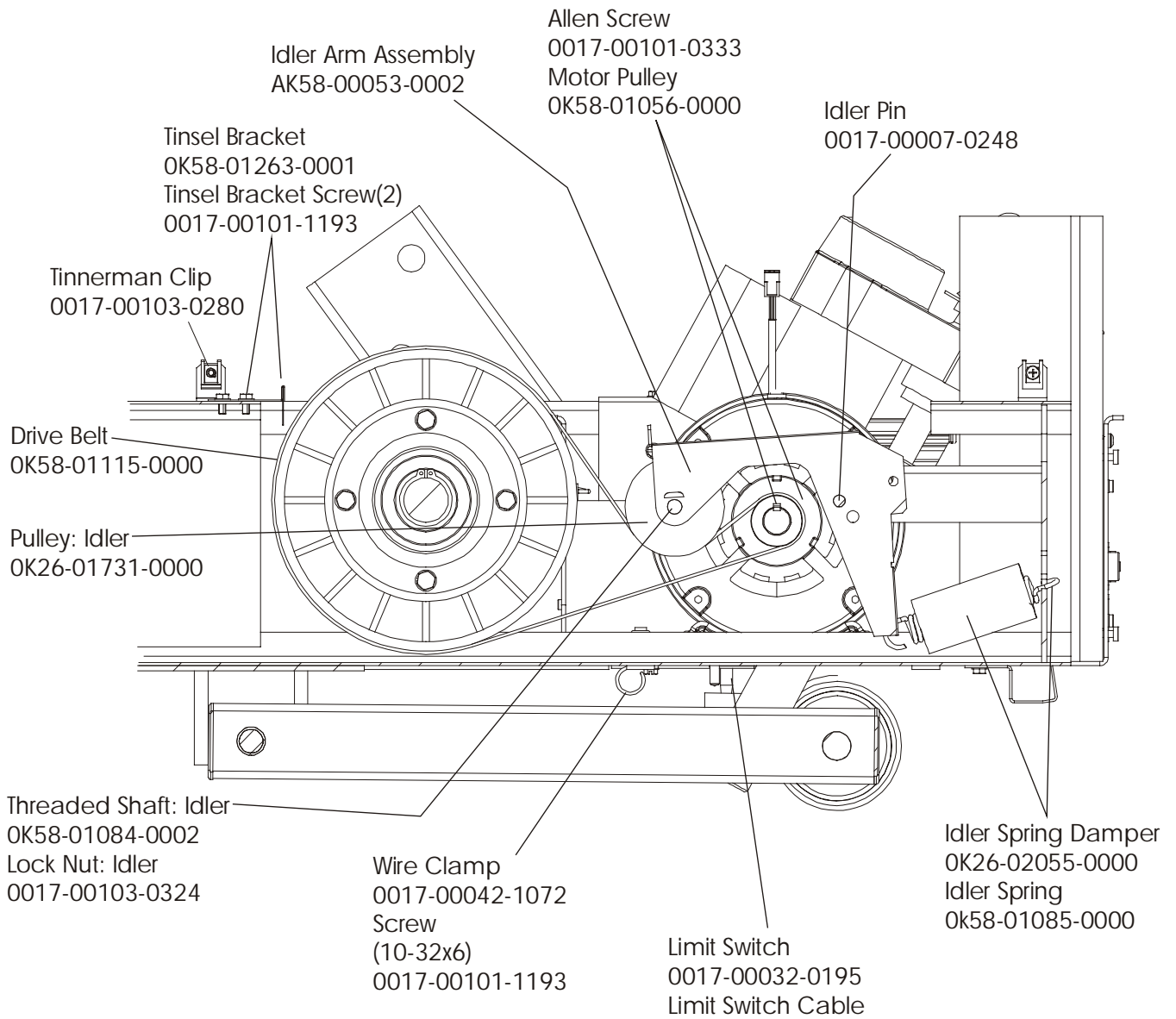






**TR97 Treadmill**  
**Idler Arm Assembly**

**TR97-0100-03**  
**S/N HTP100000**



**TR97 Treadmill**  
**Lever Assembly – AK58-00076-0000**

**TR97-0100-03**  
**S/N HTP100000**

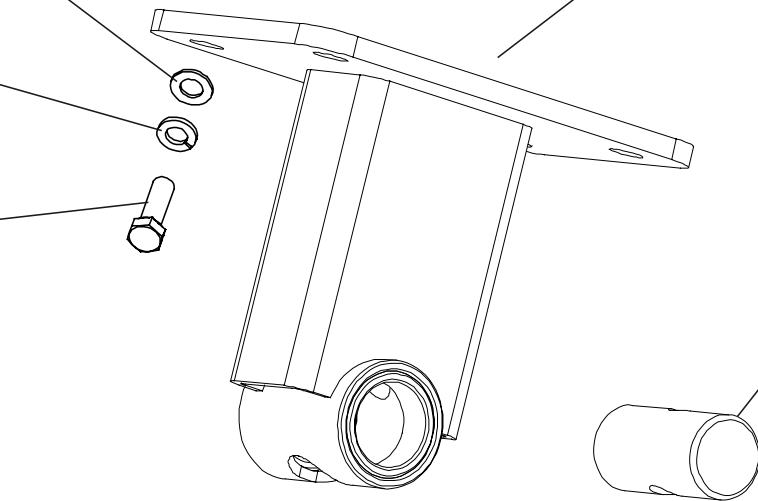
Flat Washer-4  
0017-00104-0190

Assembly Leveler & Bushing  
AK58-00089-0000

Lock Washer-4  
0017-00104-0333

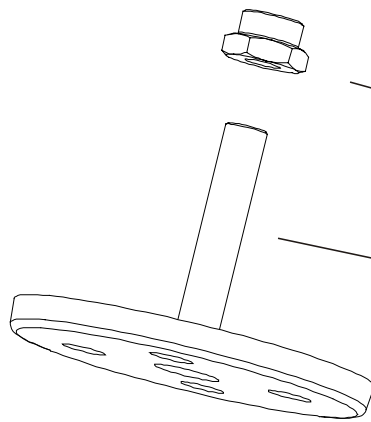
Hex Nut-4  
(8-18x10)  
0017-00101-1253

Pivot Pin  
OK58-01098-0001



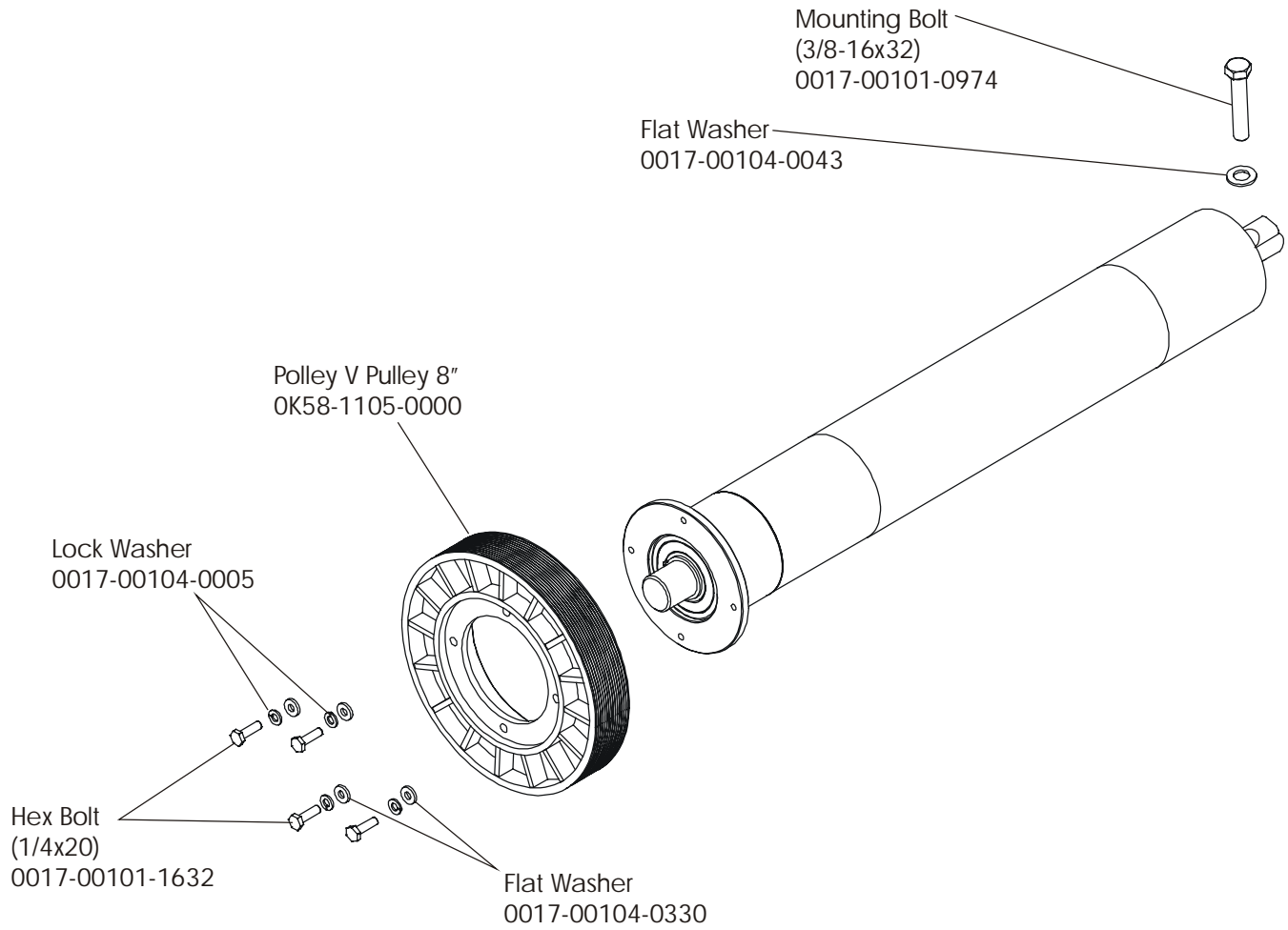
Stop Nut  
OK58-01099-0000

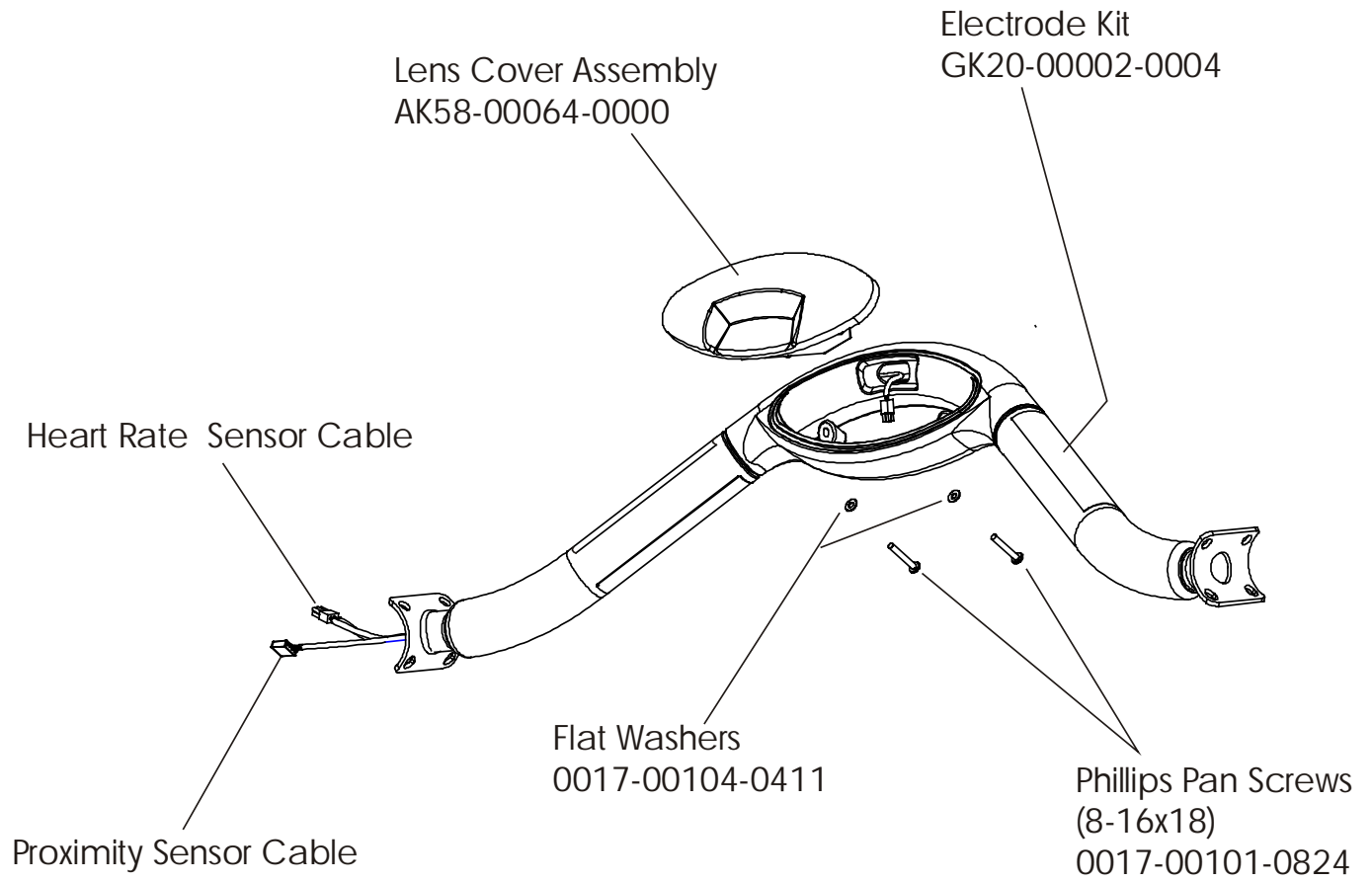
Leveling Foot  
OK58-01110-0000

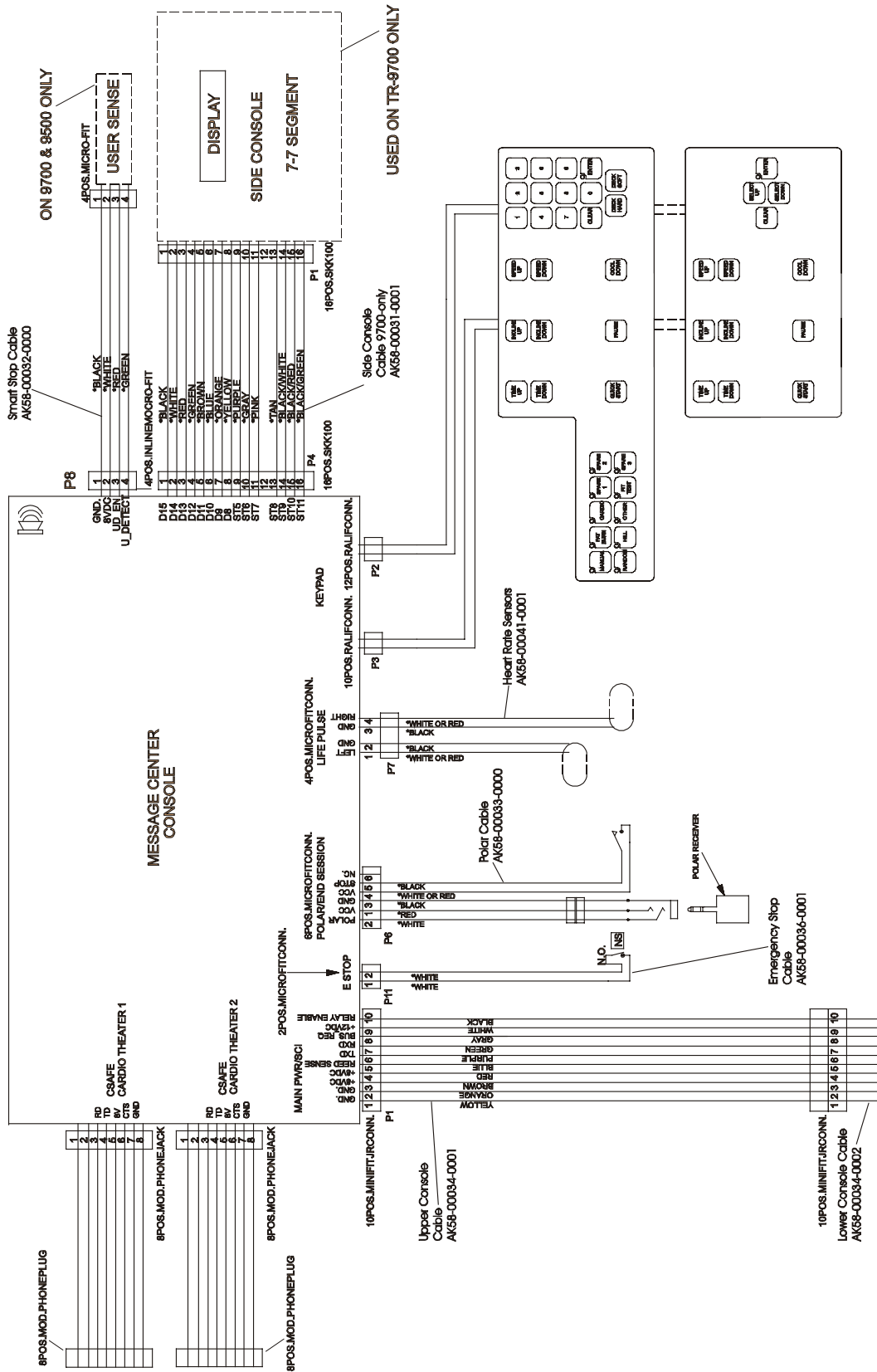


**TR97 Treadmill**  
**Front Roller Assembly – AK58-00067-0000**

**TR97-0100-03**  
**S/N HTP100000**

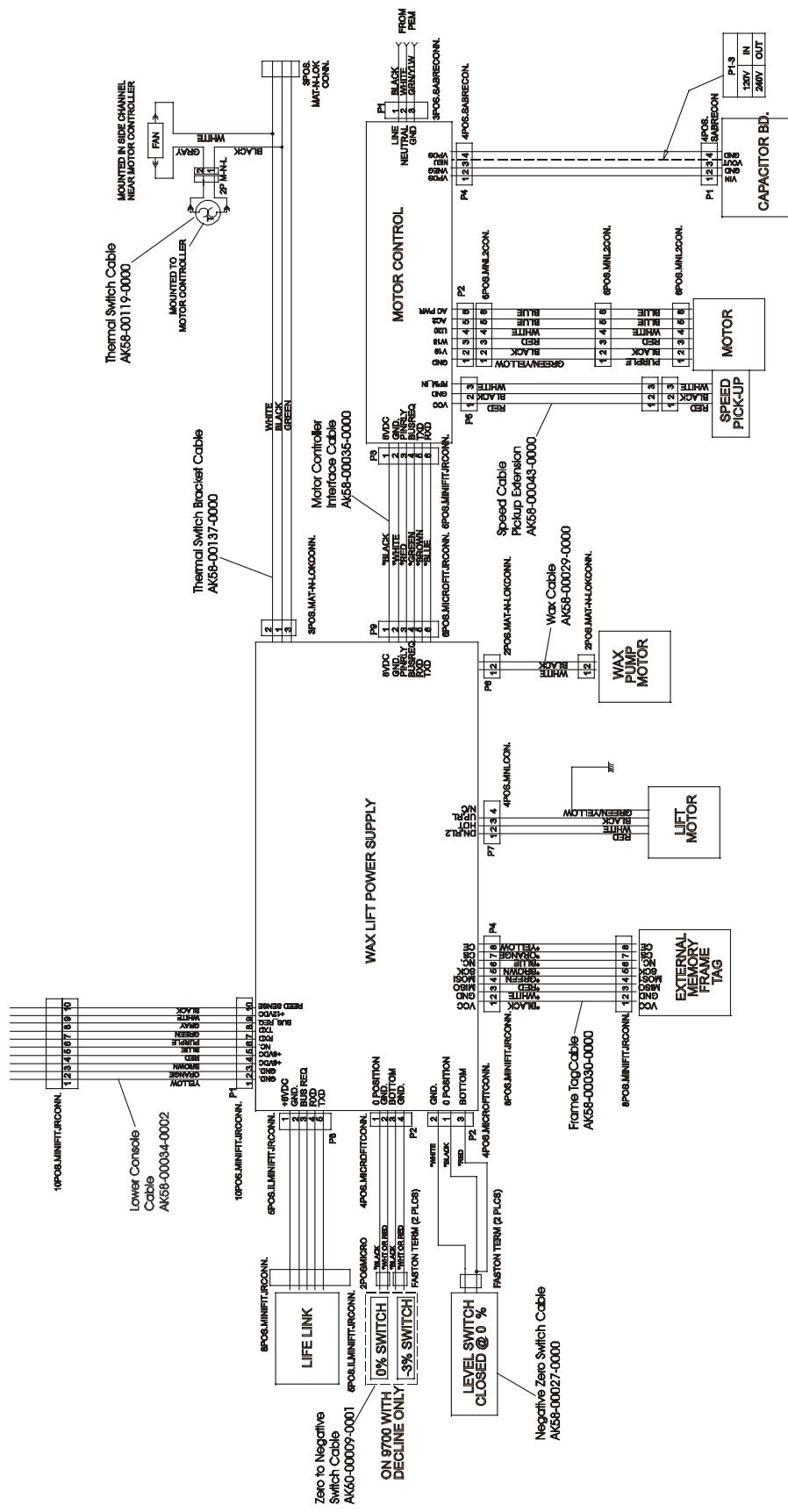




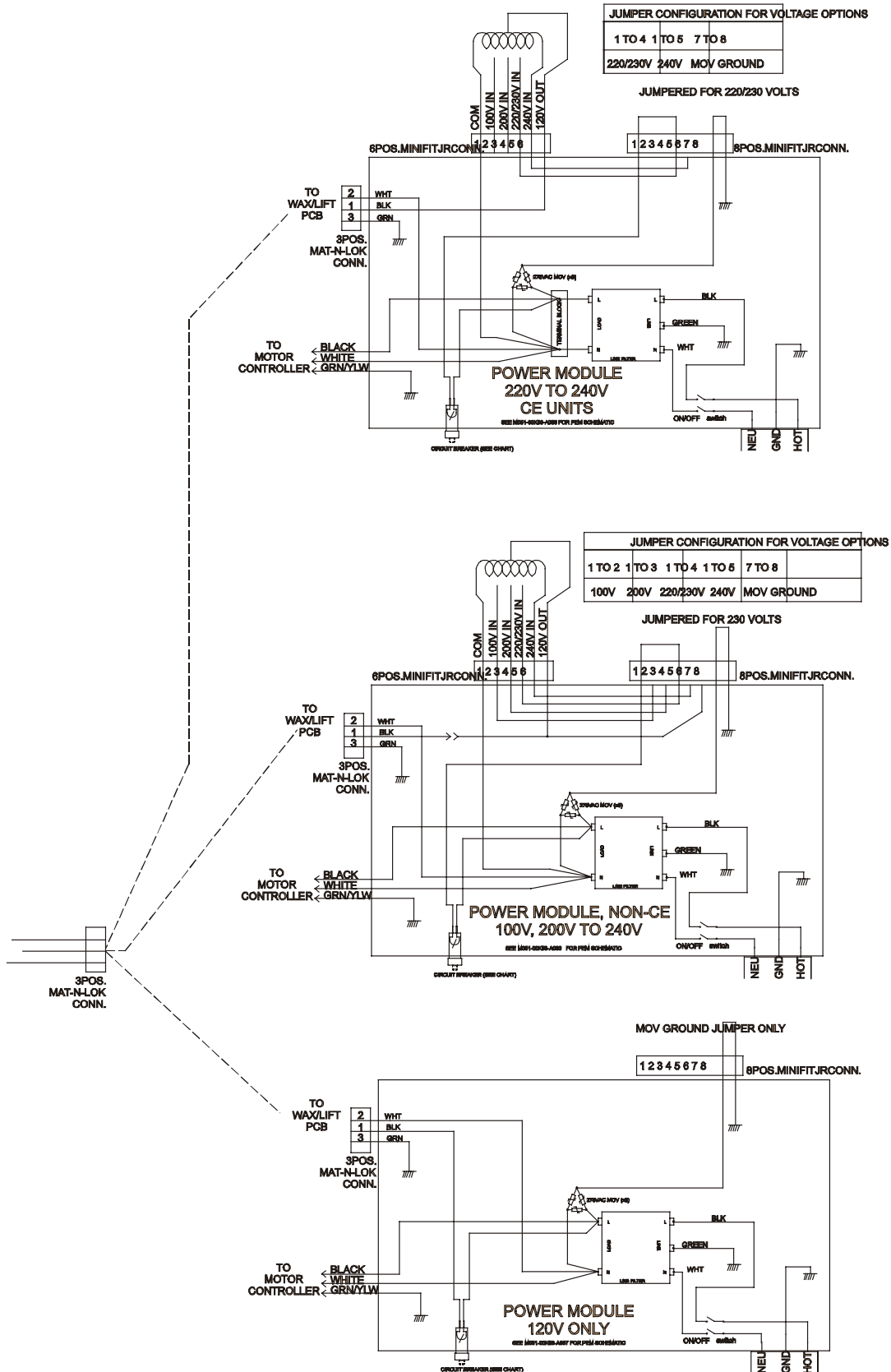


Message Center Console





WAX LIFT POWER SUPPLY



**Power Modules**